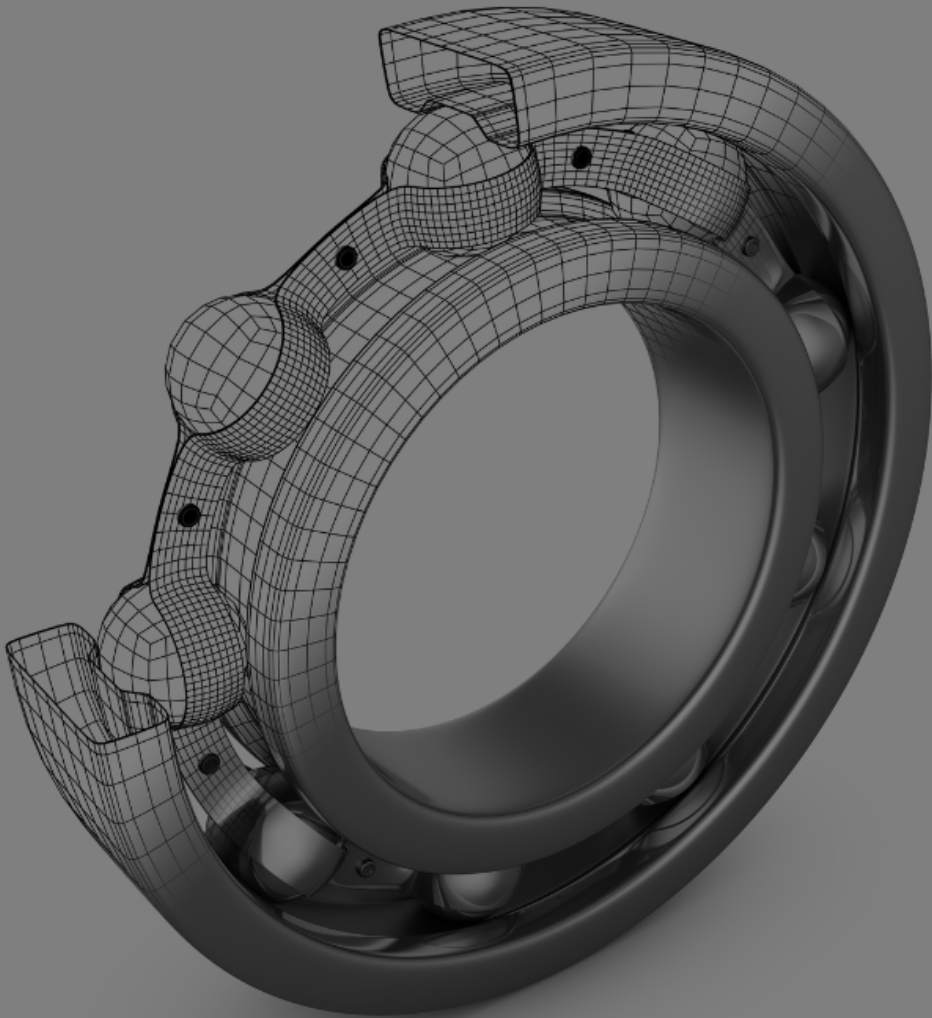


P H

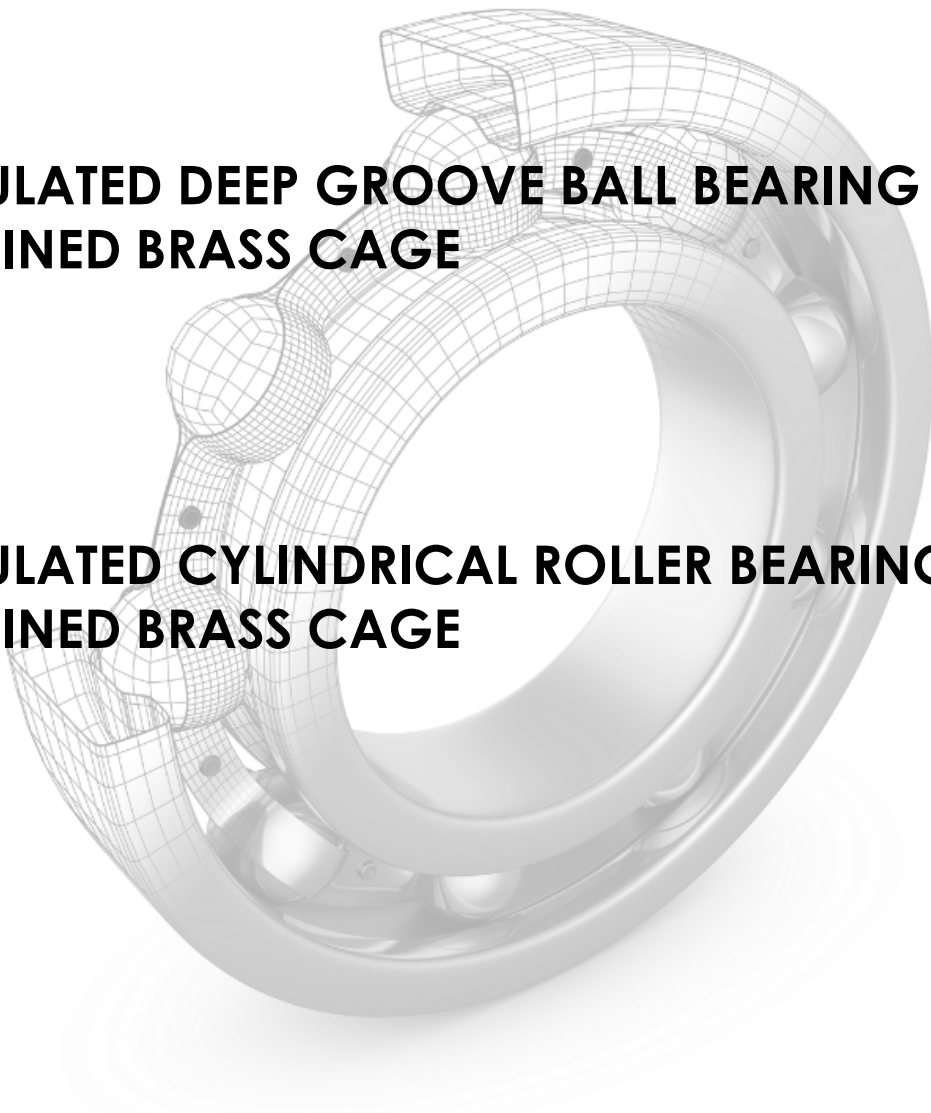
INSULATED BEARINGS



**1. INSULATED DEEP GROOVE BALL BEARING
RIVET STEEL CAGE**

**2. INSULATED DEEP GROOVE BALL BEARING
MACHINED BRASS CAGE**

**3. INSULATED CYLINDRICAL ROLLER BEARING
MACHINED BRASS CAGE**



PTH provides current insulated bearings that protected from over 2,500 [V]DC by double layers ceramic basis chemical coating. The coating has been finished with heat-resisting chemicals which makes possible to withstand up to 200°C. It gives applying PTH bearings to motor insulation grade H.



**Insulated Deep groove ball bearing
Rivet steel cage**



**Insulated Deep groove ball bearing
Machined brass cage**

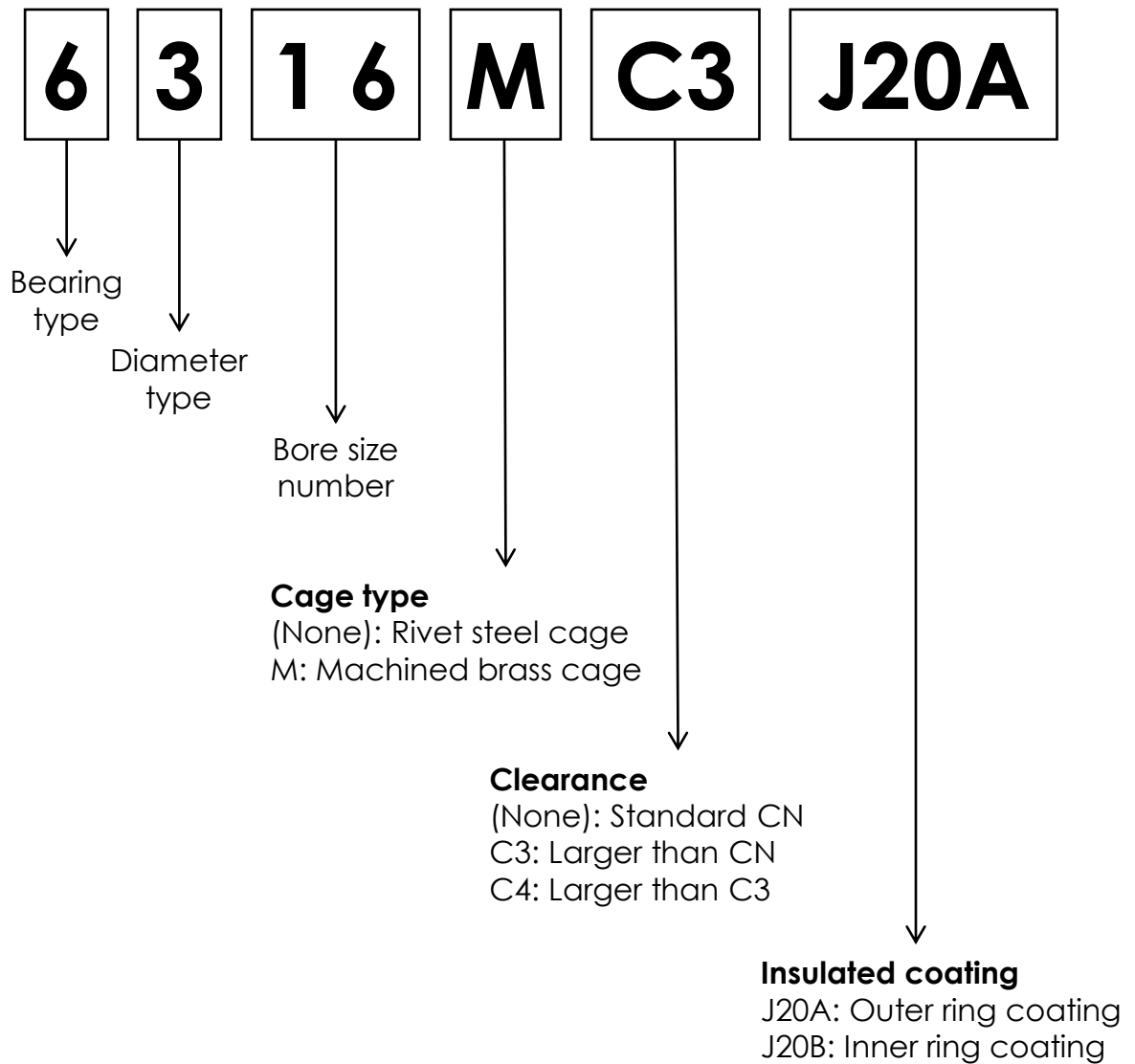


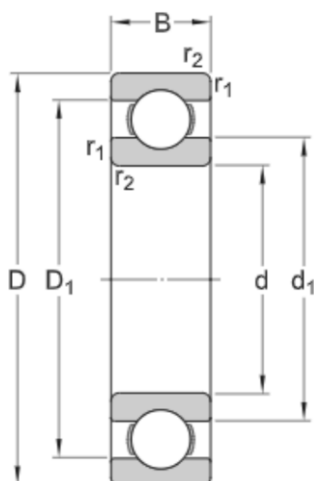
**Insulated Cylindrical roller bearings
Machined brass cage**



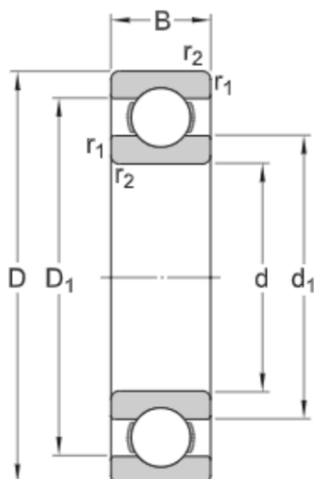
**INSULATED DEEP GROOVE BALL BEARING
RIVET STEEL CAGE**

BEARING CODE





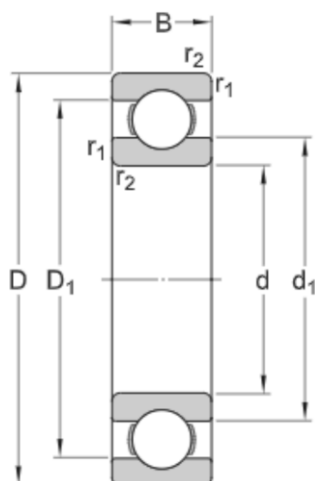
| Bearing code | d | D | B | Mass | Dynamic load rating | Static load rating | Limiting speed |
|--------------|-----|-----|----|-------|---------------------|--------------------|----------------|
| | | | | | C | C ⁰ | |
| mm | | | | kg | kN | | r/min |
| 6206-C3-J20A | 30 | 62 | 16 | 0.20 | 20.3 | 11.2 | 15,000 |
| 6207-C3-J20A | 35 | 72 | 17 | 0.29 | 27 | 15.3 | 13,000 |
| 6208-C3-J20A | 40 | 80 | 18 | 0.37 | 32.5 | 19 | 11,000 |
| 6209-C3-J20A | 45 | 85 | 19 | 0.42 | 35.1 | 21.6 | 11,000 |
| 6210-C3-J20A | 50 | 90 | 20 | 0.46 | 37.1 | 23.2 | 10,000 |
| 6211-C3-J20A | 55 | 100 | 21 | 0.61 | 46.2 | 29 | 9,000 |
| 6212-C3-J20A | 60 | 110 | 22 | 0.79 | 55.3 | 36 | 8,000 |
| 6213-C3-J20A | 65 | 120 | 23 | 1.00 | 58.5 | 40.5 | 7,500 |
| 6214-C3-J20A | 70 | 125 | 24 | 1.10 | 63.7 | 45 | 7,000 |
| 6215-C3-J20A | 75 | 130 | 25 | 1.20 | 68.9 | 49 | 6,700 |
| 6216-C3-J20A | 80 | 140 | 26 | 1.41 | 72.8 | 55 | 6,000 |
| 6217-C3-J20A | 85 | 150 | 28 | 1.80 | 87.1 | 64 | 5,600 |
| 6218-C3-J20A | 90 | 160 | 30 | 2.17 | 101 | 73.5 | 5,300 |
| 6219-C3-J20A | 95 | 170 | 32 | 2.64 | 114 | 81.5 | 5,000 |
| 6220-C3-J20A | 100 | 180 | 34 | 3.16 | 127 | 93 | 4,800 |
| 6221-C3-J20A | 105 | 190 | 36 | 3.88 | 140 | 104 | 4,500 |
| 6222-C3-J20A | 110 | 200 | 38 | 4.38 | 151 | 118 | 4,300 |
| 6224-C3-J20A | 120 | 215 | 40 | 5.17 | 146 | 118 | 4,000 |
| 6226-C3-J20A | 130 | 230 | 40 | 5.85 | 156 | 132 | 3,600 |
| 6228-C3-J20A | 140 | 250 | 42 | 7.75 | 176 | 166 | 3,400 |
| 6230-C3-J20A | 150 | 270 | 45 | 10.00 | 174 | 166 | 3,200 |
| 6232-C3-J20A | 160 | 290 | 48 | 13.00 | 200 | 204 | 3,000 |
| 6234-C3-J20A | 170 | 310 | 52 | 16.00 | 212 | 224 | 2,800 |
| 6236-C3-J20A | 180 | 320 | 52 | 18.50 | 224 | 245 | 2,600 |
| 6238-C3-J20A | 190 | 340 | 55 | 19.50 | 255 | 280 | 2,400 |
| 6240-C3-J20A | 200 | 360 | 58 | 23.50 | 270 | 310 | 2,200 |



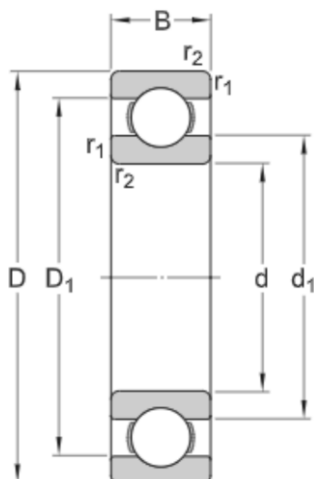
| Bearing code | d | D | B | Mass | Dynamic load rating C | Static load rating C ₀ | Limiting speed |
|--------------|-----|-----|----|-------|-----------------------|-----------------------------------|----------------|
| | mm | | | kg | kN | | r/min |
| 6306-C3-J20A | 30 | 72 | 19 | 0.36 | 29.6 | 16 | 13,000 |
| 6307-C3-J20A | 35 | 80 | 21 | 0.46 | 35.1 | 19 | 12,000 |
| 6308-C3-J20A | 40 | 90 | 23 | 0.64 | 42.3 | 24 | 11,000 |
| 6309-C3-J20A | 45 | 100 | 25 | 0.82 | 55.3 | 31.5 | 9,500 |
| 6310-C3-J20A | 50 | 110 | 27 | 1.08 | 65 | 38 | 8,500 |
| 6311-C3-J20A | 55 | 120 | 29 | 1.39 | 74.1 | 45 | 8,000 |
| 6312-C3-J20A | 60 | 130 | 31 | 1.74 | 85.2 | 52 | 7,000 |
| 6313-C3-J20A | 65 | 140 | 33 | 2.10 | 97.5 | 60 | 6,700 |
| 6314-C3-J20A | 70 | 150 | 35 | 2.54 | 111 | 68 | 6,300 |
| 6315-C3-J20A | 75 | 160 | 37 | 3.04 | 119 | 76.5 | 5,600 |
| 6316-C3-J20A | 80 | 170 | 39 | 3.60 | 130 | 86.5 | 5,300 |
| 6317-C3-J20A | 85 | 180 | 41 | 4.25 | 140 | 96.5 | 5,000 |
| 6318-C3-J20A | 90 | 190 | 43 | 4.93 | 151 | 108 | 4,800 |
| 6319-C3-J20A | 95 | 200 | 45 | 5.70 | 159 | 118 | 4,500 |
| 6320-C3-J20A | 100 | 215 | 47 | 7.10 | 174 | 140 | 4,300 |
| 6321-C3-J20A | 105 | 225 | 49 | 8.18 | 182 | 153 | 4,000 |
| 6322-C3-J20A | 110 | 240 | 50 | 9.56 | 203 | 180 | 3,800 |
| 6324-C3-J20A | 120 | 260 | 55 | 12.42 | 208 | 186 | 3,400 |
| 6326-C3-J20A | 130 | 280 | 58 | 15.40 | 229 | 216 | 3,200 |
| 6328-C3-J20A | 140 | 300 | 62 | 18.60 | 251 | 245 | 3,000 |
| 6330-C3-J20A | 150 | 320 | 65 | 22.10 | 276 | 285 | 2,800 |
| 6332-C3-J20A | 160 | 340 | 68 | 26.30 | 276 | 285 | 2,600 |
| 6334-C3-J20A | 170 | 360 | 72 | 30.80 | 312 | 340 | 2,400 |
| 6336-C3-J20A | 180 | 380 | 75 | 35.70 | 351 | 405 | 2,200 |
| 6338-C3-J20A | 190 | 400 | 78 | 41.20 | 371 | 430 | 2,200 |
| 6340-C3-J20A | 200 | 420 | 80 | 46.50 | 380 | 465 | 2,000 |



**INSULATED DEEP GROOVE BALL BEARING
MACHINED BRASS CAGE**



| Bearing code | d | D | B | Mass | Dynamic load rating C | Static load rating C ⁰ | Limiting speed |
|----------------|-----|-----|----|-------|-----------------------|-----------------------------------|----------------|
| | mm | | | kg | kN | | r/min |
| 6206-M-C3-J20A | 30 | 62 | 16 | 0.23 | 20.3 | 11.2 | 15,000 |
| 6207-M-C3-J20A | 35 | 72 | 17 | 0.32 | 27 | 15.3 | 13,000 |
| 6208-M-C3-J20A | 40 | 80 | 18 | 0.42 | 32.5 | 19 | 11,000 |
| 6209-M-C3-J20A | 45 | 85 | 19 | 0.47 | 35.1 | 21.6 | 11,000 |
| 6210-M-C3-J20A | 50 | 90 | 20 | 0.52 | 37.1 | 23.2 | 10,000 |
| 6211-M-C3-J20A | 55 | 100 | 21 | 0.69 | 46.2 | 29 | 9,000 |
| 6212-M-C3-J20A | 60 | 110 | 22 | 0.89 | 55.3 | 36 | 8,000 |
| 6213-M-C3-J20A | 65 | 120 | 23 | 1.13 | 58.5 | 40.5 | 7,500 |
| 6214-M-C3-J20A | 70 | 125 | 24 | 1.24 | 63.7 | 45 | 7,000 |
| 6215-M-C3-J20A | 75 | 130 | 25 | 1.36 | 68.9 | 49 | 6,700 |
| 6216-M-C3-J20A | 80 | 140 | 26 | 1.59 | 72.8 | 55 | 6,000 |
| 6217-M-C3-J20A | 85 | 150 | 28 | 2.03 | 87.1 | 64 | 5,600 |
| 6218-M-C3-J20A | 90 | 160 | 30 | 2.45 | 101 | 73.5 | 5,300 |
| 6219-M-C3-J20A | 95 | 170 | 32 | 2.98 | 114 | 81.5 | 5,000 |
| 6220-M-C3-J20A | 100 | 180 | 34 | 3.57 | 127 | 93 | 4,800 |
| 6221-M-C3-J20A | 105 | 190 | 36 | 4.38 | 140 | 104 | 4,500 |
| 6222-M-C3-J20A | 110 | 200 | 38 | 4.95 | 151 | 118 | 4,300 |
| 6224-M-C3-J20A | 120 | 215 | 40 | 5.84 | 146 | 118 | 4,000 |
| 6226-M-C3-J20A | 130 | 230 | 40 | 6.61 | 156 | 132 | 3,600 |
| 6228-M-C3-J20A | 140 | 250 | 42 | 8.76 | 176 | 166 | 3,400 |
| 6230-M-C3-J20A | 150 | 270 | 45 | 11.30 | 174 | 166 | 3,200 |
| 6232-M-C3-J20A | 160 | 290 | 48 | 14.69 | 200 | 204 | 3,000 |
| 6234-M-C3-J20A | 170 | 310 | 52 | 18.08 | 212 | 224 | 2,800 |
| 6236-M-C3-J20A | 180 | 320 | 52 | 20.91 | 224 | 245 | 2,600 |
| 6238-M-C3-J20A | 190 | 340 | 55 | 22.04 | 255 | 280 | 2,400 |
| 6240-M-C3-J20A | 200 | 360 | 58 | 26.56 | 270 | 310 | 2,200 |

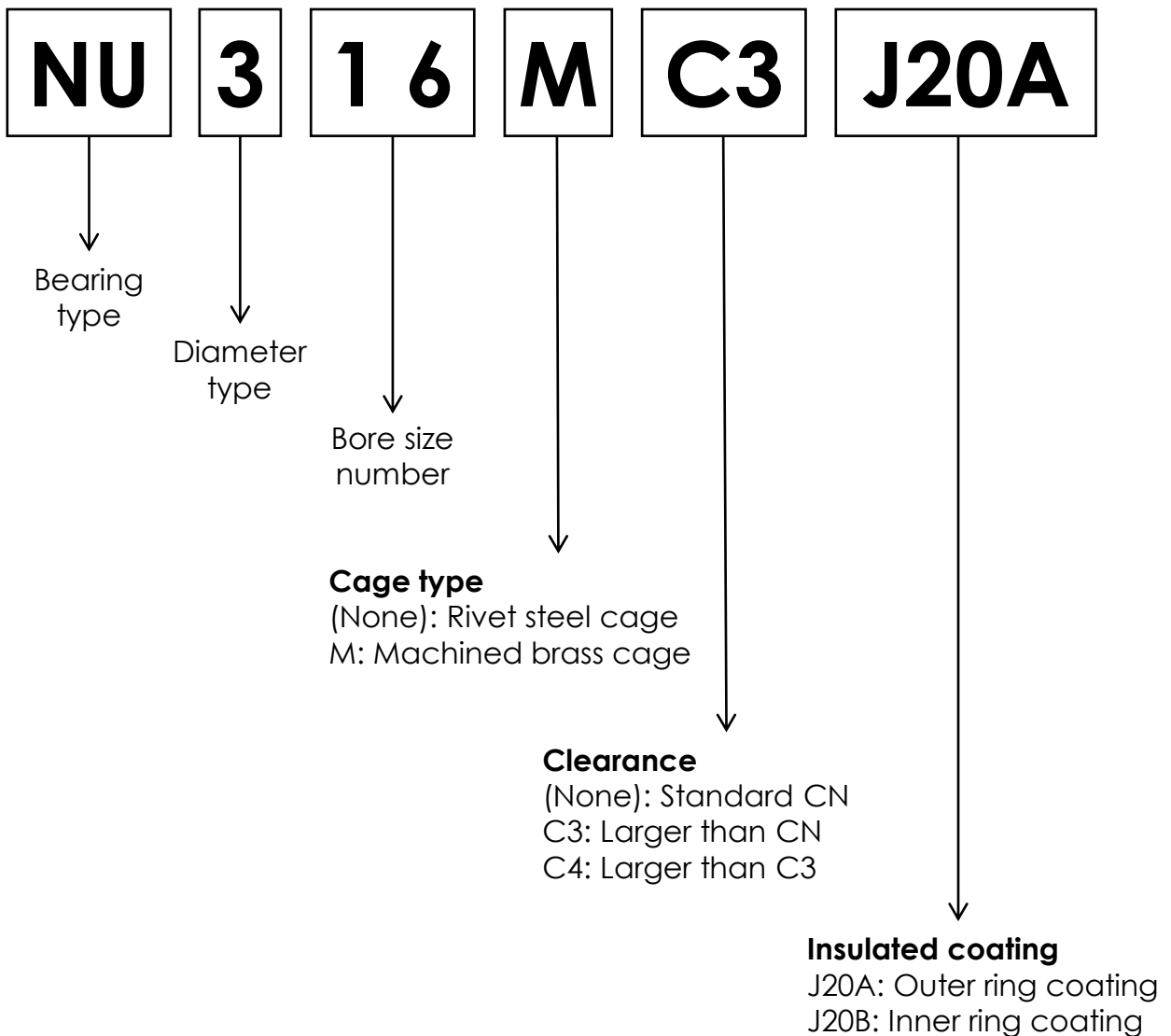


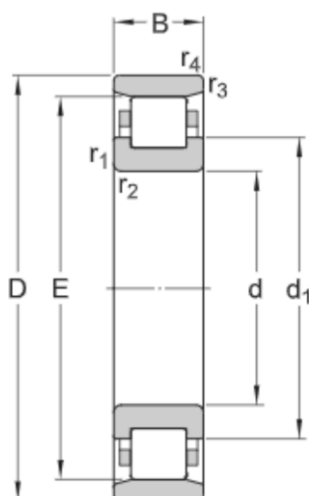
| Bearing code | d | D | B | Mass | Dynamic load rating C | Static load rating C ₀ | Limiting speed |
|----------------|-----|-----|----|-------|-----------------------|-----------------------------------|----------------|
| | mm | | | kg | kN | | r/min |
| 6306-M-C3-J20A | 30 | 72 | 19 | 0.41 | 29.6 | 16 | 13,000 |
| 6307-M-C3-J20A | 35 | 80 | 21 | 0.52 | 35.1 | 19 | 12,000 |
| 6308-M-C3-J20A | 40 | 90 | 23 | 0.72 | 42.3 | 24 | 11,000 |
| 6309-M-C3-J20A | 45 | 100 | 25 | 0.93 | 55.3 | 31.5 | 9,500 |
| 6310-M-C3-J20A | 50 | 110 | 27 | 1.22 | 65 | 38 | 8,500 |
| 6311-M-C3-J20A | 55 | 120 | 29 | 1.57 | 74.1 | 45 | 8,000 |
| 6312-M-C3-J20A | 60 | 130 | 31 | 1.97 | 85.2 | 52 | 7,000 |
| 6313-M-C3-J20A | 65 | 140 | 33 | 2.37 | 97.5 | 60 | 6,700 |
| 6314-M-C3-J20A | 70 | 150 | 35 | 2.87 | 111 | 68 | 6,300 |
| 6315-M-C3-J20A | 75 | 160 | 37 | 3.44 | 119 | 76.5 | 5,600 |
| 6316-M-C3-J20A | 80 | 170 | 39 | 4.07 | 130 | 86.5 | 5,300 |
| 6317-M-C3-J20A | 85 | 180 | 41 | 4.80 | 140 | 96.5 | 5,000 |
| 6318-M-C3-J20A | 90 | 190 | 43 | 5.57 | 151 | 108 | 4,800 |
| 6319-M-C3-J20A | 95 | 200 | 45 | 6.44 | 159 | 118 | 4,500 |
| 6320-M-C3-J20A | 100 | 215 | 47 | 8.02 | 174 | 140 | 4,300 |
| 6321-M-C3-J20A | 105 | 225 | 49 | 9.24 | 182 | 153 | 4,000 |
| 6322-M-C3-J20A | 110 | 240 | 50 | 10.80 | 203 | 180 | 3,800 |
| 6324-M-C3-J20A | 120 | 260 | 55 | 14.03 | 208 | 186 | 3,400 |
| 6326-M-C3-J20A | 130 | 280 | 58 | 17.40 | 229 | 216 | 3,200 |
| 6328-M-C3-J20A | 140 | 300 | 62 | 21.02 | 251 | 245 | 3,000 |
| 6330-M-C3-J20A | 150 | 320 | 65 | 24.97 | 276 | 285 | 2,800 |
| 6332-M-C3-J20A | 160 | 340 | 68 | 29.72 | 276 | 285 | 2,600 |
| 6334-M-C3-J20A | 170 | 360 | 72 | 34.80 | 312 | 340 | 2,400 |
| 6336-M-C3-J20A | 180 | 380 | 75 | 40.34 | 351 | 405 | 2,200 |
| 6338-M-C3-J20A | 190 | 400 | 78 | 46.56 | 371 | 430 | 2,200 |
| 6340-M-C3-J20A | 200 | 420 | 80 | 52.55 | 380 | 465 | 2,000 |



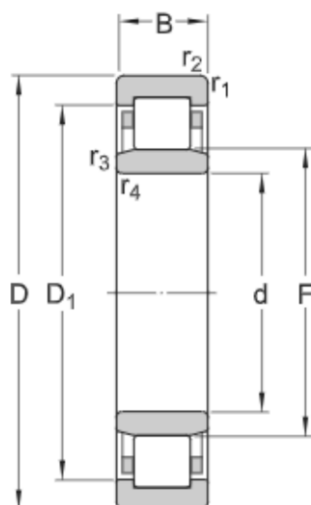
INSULATED CYLINDRICAL ROLLER BEARING

BEARING CODE

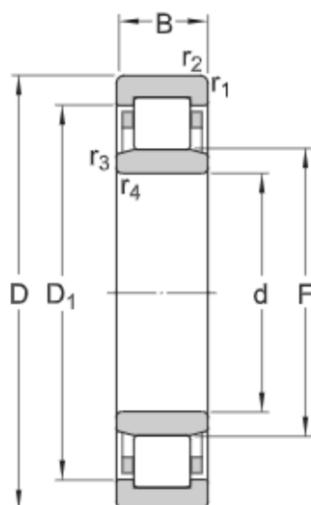




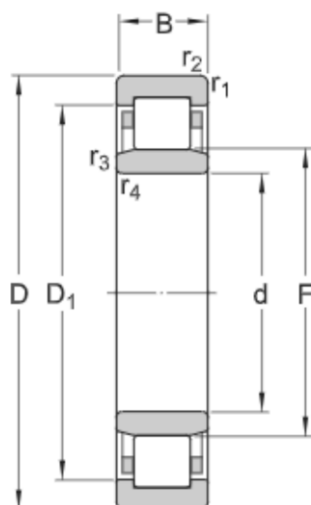
| Bearing code | d | D | B | Mass | Dynamic load rating C | Static load rating C ₀ | Limiting speed |
|-------------------|-----|-----|----|------|-----------------------|-----------------------------------|----------------|
| | mm | | | kg | kN | | r/min |
| N210-E-M1-C3-J20A | 50 | 90 | 20 | 0.48 | 73.5 | 69.5 | 9,000 |
| N211-E-M1-C3-J20A | 55 | 100 | 21 | 0.68 | 96.5 | 95 | 8,000 |
| N212-E-M1-C3-J20A | 60 | 110 | 22 | 0.81 | 108 | 102 | 7,500 |
| N213-E-M1-C3-J20A | 65 | 120 | 23 | 1.03 | 122 | 118 | 6,700 |
| N214-E-M1-C3-J20A | 70 | 125 | 24 | 1.10 | 137 | 137 | 6,300 |
| N215-E-M1-C3-J20A | 75 | 130 | 25 | 1.20 | 150 | 156 | 6,000 |
| N216-E-M1-C3-J20A | 80 | 140 | 26 | 1.55 | 160 | 166 | 5,600 |
| N217-E-M1-C3-J20A | 85 | 150 | 28 | 2.18 | 190 | 200 | 5,300 |
| N218-E-M1-C3-J20A | 90 | 160 | 30 | 2.30 | 208 | 220 | 5,000 |
| N219-E-M1-C3-J20A | 95 | 170 | 32 | 2.85 | 255 | 265 | 4,800 |
| N220-E-M1-C3-J20A | 100 | 180 | 34 | 3.45 | 285 | 305 | 4,500 |



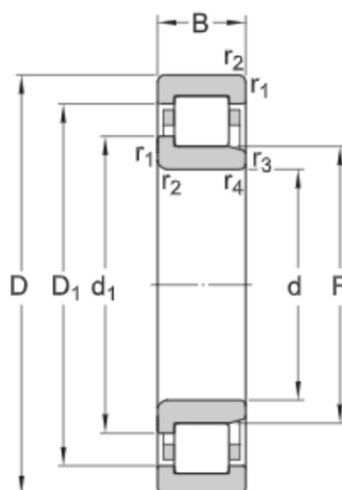
| Bearing code | d | D | B | Mass | Dynamic load rating C | Static load rating C ₀ | Limiting speed |
|-------------------|-----|-----|----|-------|-----------------------|-----------------------------------|----------------|
| | mm | | | kg | kN | | r/min |
| NU1008-M1-C3-J20A | 40 | 68 | 15 | 0.22 | 33.5 | 30.5 | 19,000 |
| NU1009-M1-C3-J20A | 45 | 75 | 16 | 0.28 | 40 | 37.5 | 16,000 |
| NU1010-M1-C3-J20A | 50 | 80 | 16 | 0.31 | 42.5 | 41.5 | 15,000 |
| NU1011-M1-C3-J20A | 55 | 90 | 18 | 0.45 | 61 | 60 | 13,000 |
| NU1012-M1-C3-J20A | 60 | 95 | 18 | 0.48 | 52 | 55 | 13,000 |
| NU1013-M1-C3-J20A | 65 | 100 | 18 | 0.51 | 53 | 58 | 12,000 |
| NU1014-M1-C3-J20A | 70 | 110 | 20 | 0.71 | 75 | 78 | 11,000 |
| NU1015-M1-C3-J20A | 75 | 115 | 20 | 0.74 | 76 | 82 | 10,000 |
| NU1016-M1-C3-J20A | 80 | 125 | 22 | 0.99 | 91 | 99 | 9,500 |
| NU1017-M1-C3-J20A | 85 | 130 | 22 | 1.04 | 93 | 103 | 9,000 |
| NU1018-M1-C3-J20A | 90 | 140 | 24 | 1.31 | 111 | 124 | 8,500 |
| NU1019-M1-C3-J20A | 95 | 145 | 24 | 1.41 | 113 | 130 | 8,000 |
| NU1020-M1-C3-J20A | 100 | 150 | 24 | 1.46 | 116 | 135 | 7,500 |
| NU1021-M1-C3-J20A | 105 | 160 | 26 | 1.84 | 131 | 153 | 7,000 |
| NU1022-M1-C3-J20A | 110 | 170 | 28 | 2.31 | 166 | 190 | 7,000 |
| NU1024-M1-C3-J20A | 120 | 180 | 28 | 2.47 | 174 | 207 | 6,300 |
| NU1026-M1-C3-J20A | 130 | 200 | 33 | 3.84 | 186 | 224 | 5,600 |
| NU1028-M1-C3-J20A | 140 | 210 | 33 | 4.07 | 204 | 255 | 5,300 |
| NU1030-M1-C3-J20A | 150 | 225 | 35 | 4.91 | 228 | 290 | 5,000 |
| NU1032-M1-C3-J20A | 160 | 240 | 38 | 5.98 | 265 | 325 | 4,800 |
| NU1034-M1-C3-J20A | 170 | 260 | 42 | 7.99 | 320 | 400 | 4,300 |
| NU1036-M1-C3-J20A | 180 | 280 | 46 | 10.40 | 380 | 475 | 4,000 |
| NU1038-M1-C3-J20A | 190 | 290 | 46 | 10.90 | 400 | 500 | 3,800 |



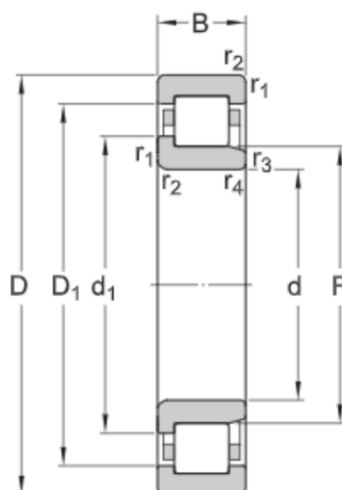
| Bearing code | d | D | B | Mass | Dynamic load rating C | Static load rating C ₀ | Limiting speed |
|--------------------|-----|-----|----|-------|-----------------------|-----------------------------------|----------------|
| | mm | | | kg | kN | | r/min |
| NU208-E-M1-C3-J20A | 40 | 80 | 18 | 0.43 | 62 | 53 | 11,000 |
| NU209-E-M1-C3-J20A | 45 | 85 | 19 | 0.50 | 69.5 | 64 | 9,500 |
| NU210-E-M1-C3-J20A | 50 | 90 | 20 | 0.55 | 73.5 | 69.5 | 9,000 |
| NU211-E-M1-C3-J20A | 55 | 110 | 21 | 0.77 | 96.5 | 95 | 8,000 |
| NU212-E-M1-C3-J20A | 60 | 110 | 22 | 0.93 | 108 | 102 | 7,500 |
| NU213-E-M1-C3-J20A | 65 | 120 | 23 | 1.20 | 122 | 118 | 6,700 |
| NU214-E-M1-C3-J20A | 70 | 125 | 24 | 1.32 | 137 | 137 | 6,300 |
| NU215-E-M1-C3-J20A | 75 | 130 | 25 | 1.44 | 150 | 156 | 6,000 |
| NU216-E-M1-C3-J20A | 80 | 140 | 26 | 1.78 | 160 | 166 | 5,600 |
| NU217-E-M1-C3-J20A | 85 | 150 | 28 | 2.23 | 190 | 200 | 5,300 |
| NU218-E-M1-C3-J20A | 90 | 160 | 30 | 2.37 | 208 | 220 | 5,000 |
| NU219-E-M1-C3-J20A | 95 | 170 | 32 | 3.32 | 255 | 265 | 4,800 |
| NU220-E-M1-C3-J20A | 100 | 180 | 34 | 3.98 | 285 | 305 | 4,500 |
| NU221-E-M1-C3-J20A | 105 | 190 | 36 | 4.39 | 300 | 315 | 4,300 |
| NU222-E-M1-C3-J20A | 110 | 200 | 38 | 5.43 | 335 | 365 | 4,000 |
| NU224-E-M1-C3-J20A | 120 | 215 | 40 | 6.56 | 390 | 430 | 3,600 |
| NU226-E-M1-C3-J20A | 130 | 230 | 40 | 7.42 | 415 | 455 | 3,400 |
| NU228-E-M1-C3-J20A | 140 | 250 | 42 | 9.41 | 450 | 510 | 3,200 |
| NU230-E-M1-C3-J20A | 150 | 270 | 45 | 11.60 | 510 | 600 | 2,800 |
| NU232-E-M1-C3-J20A | 160 | 290 | 48 | 14.40 | 585 | 680 | 2,600 |
| NU234-E-M1-C3-J20A | 170 | 310 | 52 | 17.70 | 695 | 815 | 2,400 |



| Bearing code | d | D | B | Mass | Dynamic load rating C | Static load rating C ₀ | Limiting speed |
|--------------------|-----|-----|----|-------|-----------------------|-----------------------------------|----------------|
| | mm | | | kg | kN | | r/min |
| NU308-E-M1-C3-J20A | 40 | 90 | 23 | 0.77 | 93 | 78 | 9,500 |
| NU309-E-M1-C3-J20A | 45 | 100 | 25 | 1.00 | 112 | 100 | 8,500 |
| NU310-E-M1-C3-J20A | 50 | 110 | 27 | 1.31 | 127 | 112 | 8,000 |
| NU311-E-M1-C3-J20A | 55 | 120 | 29 | 1.72 | 156 | 143 | 7,000 |
| NU312-E-M1-C3-J20A | 60 | 130 | 31 | 2.11 | 173 | 160 | 6,700 |
| NU313-E-M1-C3-J20A | 65 | 140 | 33 | 2.55 | 212 | 196 | 6,000 |
| NU314-E-M1-C3-J20A | 70 | 150 | 35 | 3.17 | 236 | 228 | 5,600 |
| NU315-E-M1-C3-J20A | 75 | 160 | 37 | 3.79 | 280 | 265 | 5,300 |
| NU316-E-M1-C3-J20A | 80 | 170 | 39 | 4.39 | 300 | 290 | 5,000 |
| NU317-E-M1-C3-J20A | 85 | 180 | 41 | 5.38 | 340 | 335 | 4,800 |
| NU318-E-M1-C3-J20A | 90 | 190 | 43 | 6.03 | 365 | 360 | 4,500 |
| NU319-E-M1-C3-J20A | 95 | 200 | 45 | 7.11 | 390 | 390 | 4,300 |
| NU320-E-M1-C3-J20A | 100 | 215 | 47 | 8.59 | 450 | 440 | 3,800 |
| NU321-E-M1-C3-J20A | 105 | 225 | 49 | 9.50 | 500 | 500 | 5,600 |
| NU322-E-M1-C3-J20A | 110 | 240 | 50 | 11.60 | 530 | 540 | 3,400 |
| NU324-E-M1-C3-J20A | 120 | 260 | 55 | 14.70 | 610 | 620 | 3,200 |
| NU326-E-M1-C3-J20A | 130 | 280 | 58 | 18.00 | 720 | 750 | 3,000 |
| NU328-E-M1-C3-J20A | 140 | 300 | 62 | 22.50 | 780 | 830 | 2,800 |
| NU330-E-M1-C3-J20A | 150 | 320 | 65 | 26.30 | 900 | 965 | 2,600 |



| Bearing code | d | D | B | Mass | Dynamic load rating C | Static load rating C ₀ | Limiting speed |
|--------------------|-----|-----|----|-------|-----------------------|-----------------------------------|----------------|
| | mm | | | kg | kN | | r/min |
| NJ208-E-M1-C3-J20A | 40 | 80 | 18 | 0.43 | 62 | 53 | 11,000 |
| NJ209-E-M1-C3-J20A | 45 | 85 | 19 | 0.50 | 69.5 | 64 | 9,500 |
| NJ210-E-M1-C3-J20A | 50 | 90 | 20 | 0.55 | 73.5 | 69.5 | 9,000 |
| NJ211-E-M1-C3-J20A | 55 | 110 | 21 | 0.77 | 96.5 | 95 | 8,000 |
| NJ212-E-M1-C3-J20A | 60 | 110 | 22 | 0.93 | 108 | 102 | 7,500 |
| NJ213-E-M1-C3-J20A | 65 | 120 | 23 | 1.20 | 122 | 118 | 6,700 |
| NJ214-E-M1-C3-J20A | 70 | 125 | 24 | 1.32 | 137 | 137 | 6,300 |
| NJ215-E-M1-C3-J20A | 75 | 130 | 25 | 1.44 | 150 | 156 | 6,000 |
| NJ216-E-M1-C3-J20A | 80 | 140 | 26 | 1.78 | 160 | 166 | 5,600 |
| NJ217-E-M1-C3-J20A | 85 | 150 | 28 | 2.23 | 190 | 200 | 5,300 |
| NJ218-E-M1-C3-J20A | 90 | 160 | 30 | 2.37 | 208 | 220 | 5,000 |
| NJ219-E-M1-C3-J20A | 95 | 170 | 32 | 3.32 | 255 | 265 | 4,800 |
| NJ220-E-M1-C3-J20A | 100 | 180 | 34 | 3.98 | 285 | 305 | 4,500 |
| NJ221-E-M1-C3-J20A | 105 | 190 | 36 | 4.39 | 300 | 315 | 4,300 |
| NJ222-E-M1-C3-J20A | 110 | 200 | 38 | 5.43 | 335 | 365 | 4,000 |
| NJ224-E-M1-C3-J20A | 120 | 215 | 40 | 6.56 | 390 | 430 | 3,600 |
| NJ226-E-M1-C3-J20A | 130 | 230 | 40 | 7.42 | 415 | 455 | 3,400 |
| NJ228-E-M1-C3-J20A | 140 | 250 | 42 | 9.41 | 450 | 510 | 3,200 |
| NJ230-E-M1-C3-J20A | 150 | 270 | 45 | 11.60 | 510 | 600 | 2,800 |
| NJ232-E-M1-C3-J20A | 160 | 290 | 48 | 14.40 | 585 | 680 | 2,600 |
| NJ234-E-M1-C3-J20A | 170 | 310 | 52 | 17.70 | 695 | 815 | 2,400 |



| Bearing code | d | D | B | Mass | Dynamic load rating C | Static load rating C ₀ | Limiting speed |
|--------------------|-----|-----|----|-------|-----------------------|-----------------------------------|----------------|
| | mm | | | kg | kN | | r/min |
| NJ308-E-M1-C3-J20A | 40 | 90 | 23 | 0.77 | 93 | 78 | 9,500 |
| NJ309-E-M1-C3-J20A | 45 | 100 | 25 | 1.00 | 112 | 100 | 8,500 |
| NJ310-E-M1-C3-J20A | 50 | 110 | 27 | 1.31 | 127 | 112 | 8,000 |
| NJ311-E-M1-C3-J20A | 55 | 120 | 29 | 1.72 | 156 | 143 | 7,000 |
| NJ312-E-M1-C3-J20A | 60 | 130 | 31 | 2.11 | 173 | 160 | 6,700 |
| NJ313-E-M1-C3-J20A | 65 | 140 | 33 | 2.55 | 212 | 196 | 6,000 |
| NJ314-E-M1-C3-J20A | 70 | 150 | 35 | 3.17 | 236 | 228 | 5,600 |
| NJ315-E-M1-C3-J20A | 75 | 160 | 37 | 3.79 | 280 | 265 | 5,300 |
| NJ316-E-M1-C3-J20A | 80 | 170 | 39 | 4.39 | 300 | 290 | 5,000 |
| NJ317-E-M1-C3-J20A | 85 | 180 | 41 | 5.38 | 340 | 335 | 4,800 |
| NJ318-E-M1-C3-J20A | 90 | 190 | 43 | 6.03 | 365 | 360 | 4,500 |
| NJ319-E-M1-C3-J20A | 95 | 200 | 45 | 7.11 | 390 | 390 | 4,300 |
| NJ320-E-M1-C3-J20A | 100 | 215 | 47 | 8.59 | 450 | 440 | 3,800 |
| NJ321-E-M1-C3-J20A | 105 | 225 | 49 | 9.50 | 500 | 500 | 5,600 |
| NJ322-E-M1-C3-J20A | 110 | 240 | 50 | 11.60 | 530 | 540 | 3,400 |
| NJ324-E-M1-C3-J20A | 120 | 260 | 55 | 14.70 | 610 | 620 | 3,200 |
| NJ326-E-M1-C3-J20A | 130 | 280 | 58 | 18.00 | 720 | 750 | 3,000 |
| NJ328-E-M1-C3-J20A | 140 | 300 | 62 | 22.50 | 780 | 830 | 2,800 |
| NJ330-E-M1-C3-J20A | 150 | 320 | 65 | 26.30 | 900 | 965 | 2,600 |

www.pitchkorea.com

Made in Korea